

# Echo Series

## EL5400



Control Chief has established a new standard in the wireless industrial control market. This radio is an outstanding value, featuring a compact, 5-speed, dual joystick transmitter and a full complement of safety features. The pre-wired receiver makes installation and setup simple.

### Key Features

- Operation range up to 330 ft. (100 m)
- Weight of transmitter with battery & harness = 1.92 lbs.
- Eliminates need for crane operator located in cab
- Lightweight transmitter insures ease of operation
- Pre-wired receiver for quick installation
- Puts operator in total control of equipment from the plant floor
- Receiver and transmitter are completely programmable\*
- Receiver and transmitter enclosure: NEMA 4 (IP65) glass reinforced nylon
- Over 40 hours of battery life under continuous use with 4 AA batteries
- Up to 5-speed - 4 motion capabilities
- Multiple systems can be on the air simultaneously
- 1-year warranty



### General Specifications

- Power source and output relay fuse protection
- Synchronous transmission encoding and decoding
- Programmable battery saving auto-off feature\*
- More than 57 function and parameter settings\*
- Operation frequency: 310 ~ 321 MHz fully compliant with FCC Part 15 & CE European directive (**non-licensed system**)
- > 65,000 unique ID Codes for maximum security
- Programmable continuous or non-continuous transmission\*
- Programmable inching function\*
- Operating temperature: -45° C ~ + 80° C
- Programmable 5 step output feature\*
- Programmable acceleration time delay\*
- Relays rated 10A @ 250V & 8A @ 30VDC

\* Factory programming required

### Safety

The wireless technology incorporates the latest advancements in RF and microprocessor design. Such features as watchdog error circuitry and programmable password protection\* all insure safe wireless operation of your equipment. Most of all, wireless technology removes the operator from harm's way. The operator can choose the safest and most convenient operating position, thus greatly reducing the risk of injury.

### Support

All products are backed by Control Chief's years of experience in the material handling market. All items are stocked and shipped from our US factory. Our team of qualified engineers are ready to provide you prompt professional service whenever and wherever you need it.

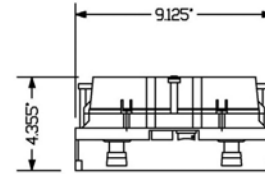
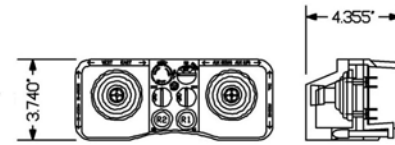
### Reliability

Extensive use of SMT technology and advanced digital technology reduces the part count and simplifies design. Single board transmitter and receiver designs reduce interconnections and enhance reliability. All circuitry is shock-proof mounted within a rigid glass filled nylon enclosure for long service life. This commitment to reliability is backed by a 1-year warranty, the best in the industry.

## Transmitter Specifications

- 9.125" x 3.74" x 4.33" (230 x 95 x 110 mm) (LxWxH)
- 3 stage visual low power warning
- Integral visual alarm
- Removable key (water resistant)
- Shock resistant design impact durability to 50G
- Optional 4 digit password protection\*
- Modulation: narrow band F.M.
- RF output power < 10 mW
- Large pushbutton E-stop switch
- Internal antenna
- 4 AA batteries
- Two dual axis joysticks 5-speed
- Two (2) A-B-Both selector
- Approximate power consumption: <45mA

## Transmitter Dimensions

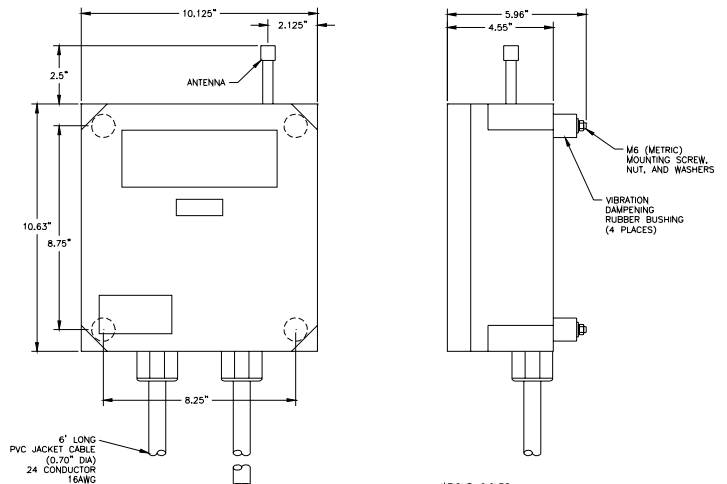


WEIGHT: 1.9 LBS.  
(INCLUDING BATTERIES)

## Receiver Specifications

- 9.96" x 10.5" x 5.91" (253 x 267 x 150 mm) (LxWxH)
- Power interruption protection
- Shock resistant mounting provision, impact durability up to 20G
- Internal integrated antenna
- Sensitivity: -110 dBm (Data Error Rate <math><10^3</math>)
- Supply voltage 48/110 VAC 50/60 Hz  $\pm$  10%
- 40 total relays
- Pre-wired pigtail

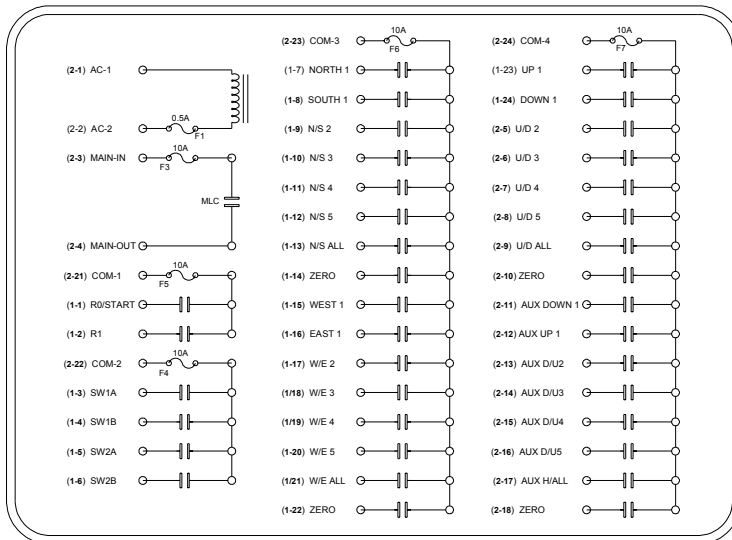
## Receiver Dimensions



WEIGHT: 6.6LBS.  
LESS CABLE)

24 CONDUCTORS, 16 AWG  
WITH FORK TERMINALS  
20" OF LOOSE CONDUCTORS  
EXPOSED BEYOND PVC JACKET

## Wiring Diagram (For Reference Only - Not for Installation)



CONTROL CHIEF CORPORATION  
200 Williams Street, P.O. Box 141 Bradford, PA 16701  
1-800-233-3016 814-362-6811 FAX: 814-368-4133  
[www.controlchief.com](http://www.controlchief.com)

